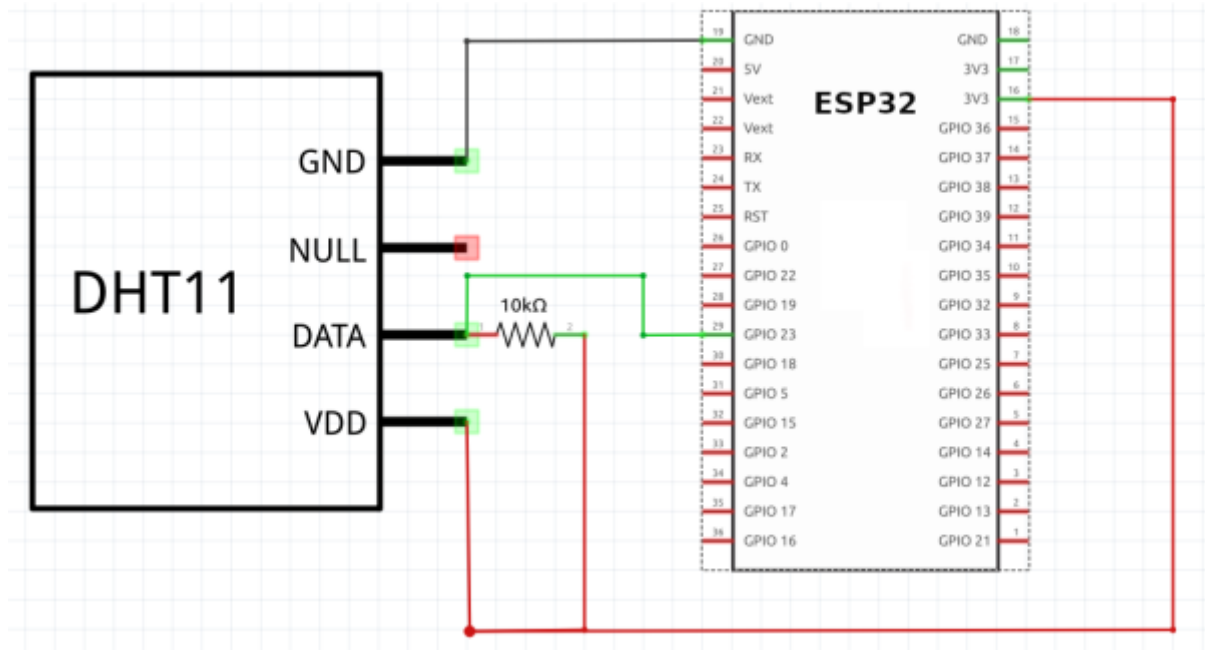


Affichage temperature DHT11 raccordé sur ESP32

Schema de raccordement



Configuration de tasmota

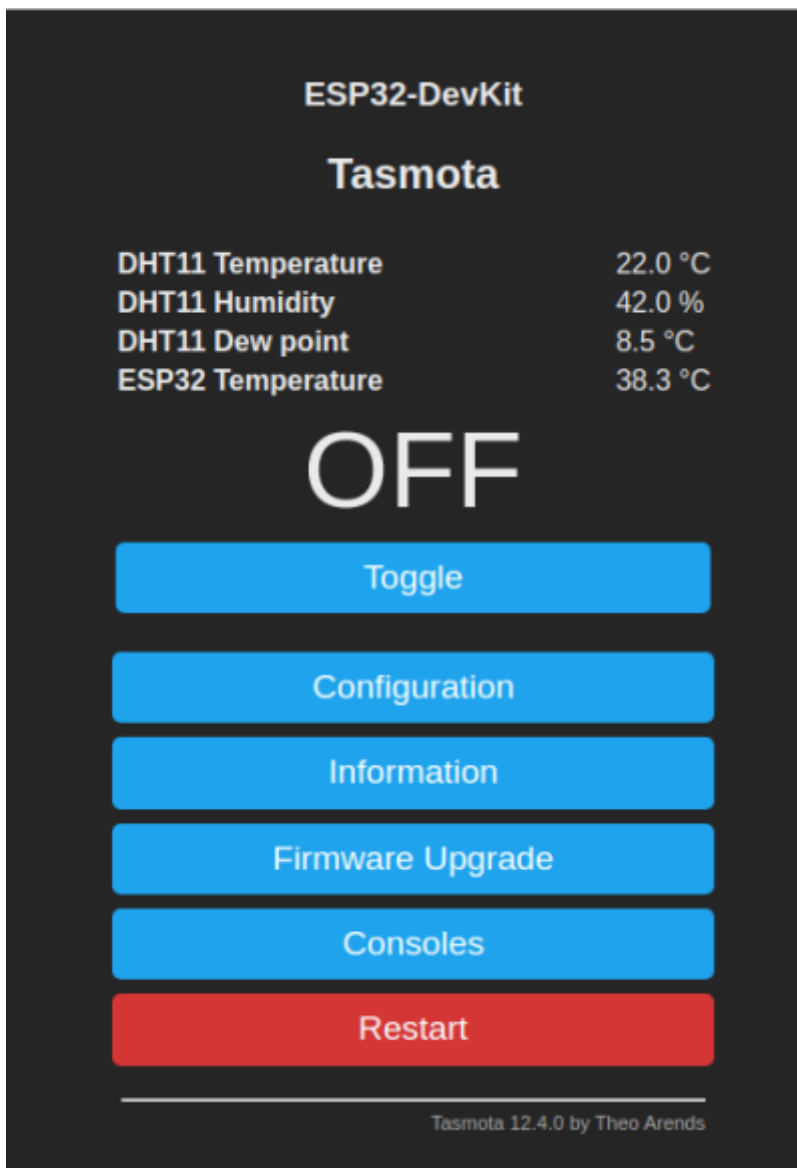
Tasmota avec un DHT11 raccordé sur GPIO23 de l'ESP32

| | | | |
|-----------|--------|---|-----|
| FL GPIO10 | None | ▼ | |
| IO GPIO12 | None | ▼ | |
| IO GPIO13 | None | ▼ | |
| IO GPIO14 | None | ▼ | |
| IO GPIO15 | None | ▼ | |
| IO GPIO16 | None | ▼ | |
| IO GPIO17 | None | ▼ | |
| IO GPIO18 | None | ▼ | |
| IO GPIO19 | None | ▼ | |
| IO GPIO21 | Relay | ▼ | 1 ▼ |
| IO GPIO22 | None | ▼ | |
| IO GPIO23 | DHT11 | ▼ | |
| IO GPIO25 | None | ▼ | |
| IO GPIO26 | None | ▼ | |
| IO GPIO27 | None | ▼ | |
| AO GPIO32 | None | ▼ | |
| AO GPIO33 | None | ▼ | |
| IA GPIO34 | None | ▼ | |
| IA GPIO35 | None | ▼ | |
| IA GPIO36 | None | ▼ | |
| IA GPIO39 | Button | ▼ | 1 ▼ |

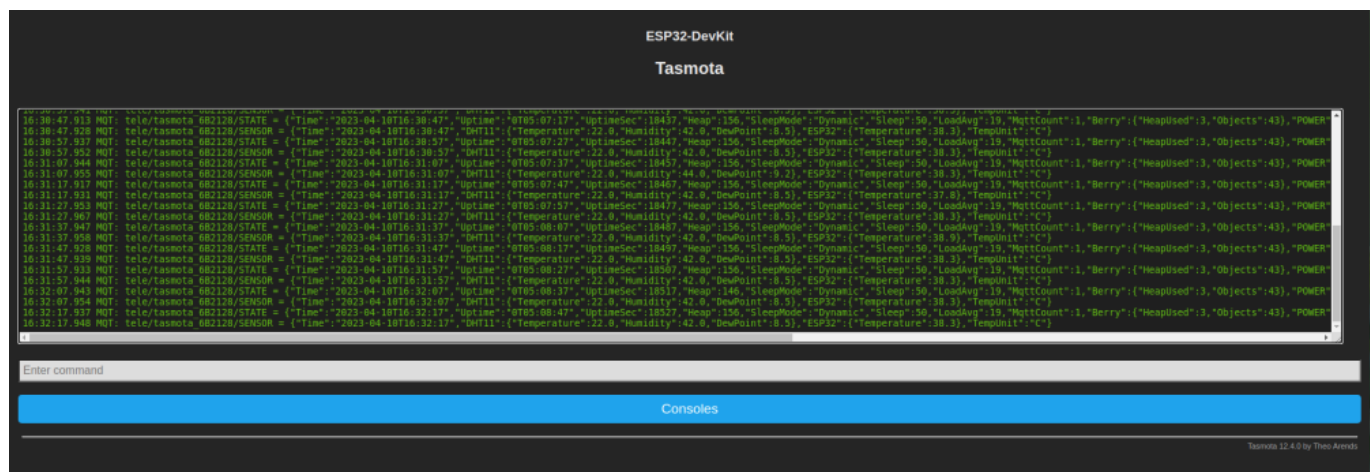
Save

Configuration

Après un retour au menu principal (main Menu), on doit voir sur tasmota les informations de temperature et d humidité de notre DHT11



En mode "Console" , on verra defiler les infos du DHT11 : 16:30:47.928 MQT:
 tele/tasmota_6B2128/SENSOR =
 {"Time":"2023-04-10T16:30:47","DHT11":{"Temperature":22.0,"Humidity":42.0,"DewPoint":8.5}, "ESP32":{"Temperature":38.3},"TempUnit":"C"}



Affichons maintenant notre Dashboard : castellab.ddnsfree.com:18xx/ui et affichons les infos en mode debug

```
debug
selected nodes
all

10/04/2023 17:35:18 node: debug 2
tele/tasmota_6B2128/SENSOR : msg.payload : Object
  object
    Time: "2023-04-10T16:35:17"
    DHT11: object
      Temperature: 22
      Humidity: 42
      DewPoint: 8.5
    ESP32: object
      TempUnit: "C"
```

From: <https://chanterie37.fr/fablab37110/> - Castel'Lab le Fablab MJC de Château-Renault

Permanent link: https://chanterie37.fr/fablab37110/doku.php?id=faire_preparation:soireeinfo:tp:corex2:espdht11&rev=1681141038

Last update: 2023/04/10 17:37

