

## Tutoriels MAX7219 avec matrice 8X8



### Liens web tuto MAX7219

- [Montage Kit MAX7219 EN](#)
- [Montage Kstart:arduino:max7219:FRit MAX7219 FR](#)
- [Concevez des matrices de LED](#)
- [Tuto MAX7219 Arduino](#)
- [Matrice 8X8](#)
- [Tutoriel Arduino - MAX7219 Afficheur 8X8 LED](#)
- [MAX 7219](#)
- [LED Matrix Kit](#)
- [64 LEDS et MAX7219](#)
- [MAX7219 avec 4 matrices de LEDS 8X8 en cascade](#)
  - [Matrice LEDS 5 fois 8x8](#)
- [LEDS 8X8 par internet](#)
- [Une Video](#)

### Programmes

#### Préparation Logiciels



Utiliser ou télécharger la dernière version de [l'IDE Arduino](#)

Le diagramme de synchronisation pour Max7219 et son format de données série sont joints ci-

dessous avec ses caractéristiques électroniques.

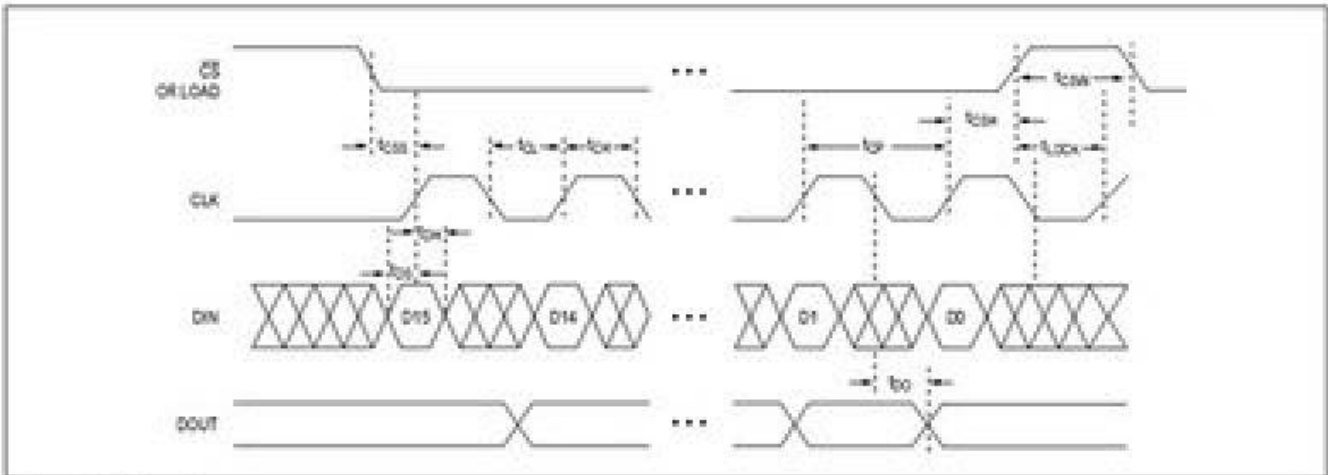


Figure 1. Timing Diagram

Table 1. Serial-Data Format (16 Bits)

D15	D14	D13	D12	D11	D10	D9	D8	D7	D6	D5	D4	D3	D2	D1	D0
X	X	X	X	ADDRESS				MSB	DATA						LSB

### ELECTRICAL CHARACTERISTICS (continued)

( $V^+ = 5V \pm 10\%$ ,  $R_{SET} = 9.53k\Omega \pm 1\%$ ,  $T_A = T_{MIN}$  to  $T_{MAX}$ , unless otherwise noted.)

PARAMETER	SYMBOL	CONDITIONS	MIN	TYP	MAX	UNITS
<b>LOGIC INPUTS</b>						
Input Current DIN, CLK, LOAD, CS	$I_{in, IL}$	$V_{in} = 0V$ or $V^+$	-1		1	$\mu A$
Logic High Input Voltage	$V_{IH}$		3.5			V
Logic Low Input Voltage	$V_{IL}$				0.8	V
Output High Voltage	$V_{OH}$	DOUT, $I_{SOURCE} = -1mA$	$V^+ - 1$			V
Output Low Voltage	$V_{OL}$	DOUT, $I_{SINK} = 1.6mA$			0.4	V
Hysteresis Voltage	$\Delta V_I$	DIN, CLK, LOAD, CS		1		V
<b>TIMING CHARACTERISTICS</b>						
CLK Clock Period	$t_{CP}$		100			ns
CLK Pulse Width High	$t_{CH}$		50			ns
CLK Pulse Width Low	$t_{CL}$		50			ns
CS Fall to SCLK Rise Setup Time (MAX7221 only)	$t_{CSS}$		25			ns
CLK Rise to CS or LOAD Rise Hold Time	$t_{CSH}$		0			ns
DIN Setup Time	$t_{DS}$		25			ns
DIN Hold Time	$t_{DH}$		0			ns
Output Data Propagation Delay	$t_{DO}$	$C_{LOAD} = 50pF$			25	ns
Load-Rising Edge to Next Clock Rising Edge (MAX7219 only)	$t_{DCK}$		50			ns
Minimum CS or LOAD Pulse High	$t_{CSW}$		50			ns
Data-to-Segment Delay	$t_{DSPO}$				2.25	ms

Un programme de test sans librairie à inclure

## exemple\_code\_MAX7219.ino

```

    unsigned char i;
    unsigned char j;
    /*Port Definitions*/
    int Max7219_pinCLK = 10;
    int Max7219_pinCS = 9;
    int Max7219_pinDIN = 8;

    unsigned char displ[38][8]={
    {0x3C,0x42,0x42,0x42,0x42,0x42,0x42,0x3C},//0
    {0x10,0x18,0x14,0x10,0x10,0x10,0x10,0x10},//1
    {0x7E,0x2,0x2,0x7E,0x40,0x40,0x40,0x7E},//2
    {0x3E,0x2,0x2,0x3E,0x2,0x2,0x3E,0x0},//3
    {0x8,0x18,0x28,0x48,0xFE,0x8,0x8,0x8},//4
    {0x3C,0x20,0x20,0x3C,0x4,0x4,0x3C,0x0},//5
    {0x3C,0x20,0x20,0x3C,0x24,0x24,0x3C,0x0},//6
    {0x3E,0x22,0x4,0x8,0x8,0x8,0x8,0x8},//7
    {0x0,0x3E,0x22,0x22,0x3E,0x22,0x22,0x3E},//8
    {0x3E,0x22,0x22,0x3E,0x2,0x2,0x2,0x3E},//9
    {0x8,0x14,0x22,0x3E,0x22,0x22,0x22,0x22},//A
    {0x3C,0x22,0x22,0x3E,0x22,0x22,0x3C,0x0},//B
    {0x3C,0x40,0x40,0x40,0x40,0x40,0x3C,0x0},//C
    {0x7C,0x42,0x42,0x42,0x42,0x42,0x7C,0x0},//D
    {0x7C,0x40,0x40,0x7C,0x40,0x40,0x40,0x7C},//E
    {0x7C,0x40,0x40,0x7C,0x40,0x40,0x40,0x40},//F
    {0x3C,0x40,0x40,0x40,0x40,0x44,0x44,0x3C},//G
    {0x44,0x44,0x44,0x7C,0x44,0x44,0x44,0x44},//H
    {0x7C,0x10,0x10,0x10,0x10,0x10,0x10,0x7C},//I
    {0x3C,0x8,0x8,0x8,0x8,0x8,0x48,0x30},//J
    {0x0,0x24,0x28,0x30,0x20,0x30,0x28,0x24},//K
    {0x40,0x40,0x40,0x40,0x40,0x40,0x40,0x7C},//L
    {0x81,0xC3,0xA5,0x99,0x81,0x81,0x81,0x81},//M
    {0x0,0x42,0x62,0x52,0x4A,0x46,0x42,0x0},//N
    {0x3C,0x42,0x42,0x42,0x42,0x42,0x42,0x3C},//O
    {0x3C,0x22,0x22,0x22,0x3C,0x20,0x20,0x20},//P
    {0x1C,0x22,0x22,0x22,0x22,0x26,0x22,0x1D},//Q
    {0x3C,0x22,0x22,0x22,0x3C,0x24,0x22,0x21},//R
    {0x0,0x1E,0x20,0x20,0x3E,0x2,0x2,0x3C},//S
    {0x0,0x3E,0x8,0x8,0x8,0x8,0x8,0x8},//T
    {0x42,0x42,0x42,0x42,0x42,0x42,0x22,0x1C},//U
    {0x42,0x42,0x42,0x42,0x42,0x42,0x24,0x18},//V
    {0x0,0x49,0x49,0x49,0x49,0x2A,0x1C,0x0},//W
    {0x0,0x41,0x22,0x14,0x8,0x14,0x22,0x41},//X
    {0x41,0x22,0x14,0x8,0x8,0x8,0x8,0x8},//Y
    {0x0,0x7F,0x2,0x4,0x8,0x10,0x20,0x7F},//Z
    };

    void Write_Max7219_byte(unsigned char DATA)

```

```
{
    unsigned char i;
    digitalWrite(Max7219_pinCS,LOW);
    for(i=8;i>=1;i--)
    {
        digitalWrite(Max7219_pinCLK,LOW);
        digitalWrite(Max7219_pinDIN,DATA&0x80); // Extracting a bit
data
        DATA = DATA<<1;
        digitalWrite(Max7219_pinCLK,HIGH);
    }
}

void Write_Max7219(unsigned char address,unsigned char dat)
{
    digitalWrite(Max7219_pinCS,LOW);
    Write_Max7219_byte(address); //address=code of LED
    Write_Max7219_byte(dat); //data=figure on LED
    digitalWrite(Max7219_pinCS,HIGH);
}

void Init_MAX7219(void)
{
    Write_Max7219(0x09, 0x00); //decoding =BCD
    Write_Max7219(0x0a, 0x03); //brightness
    Write_Max7219(0x0b, 0x07); //scanlimit=8 LEDs
    Write_Max7219(0x0c, 0x01); //power-down mode=0=normal mode=1
    Write_Max7219(0x0f, 0x00); //test display=1=E0T=display=0
}

void setup()
{
    pinMode(Max7219_pinCLK,OUTPUT);
    pinMode(Max7219_pinCS,OUTPUT);
    pinMode(Max7219_pinDIN,OUTPUT);
    delay(50);
    Init_MAX7219();
}

void loop()
{
    for(j=0;j<38;j++)
    {
        for(i=1;i<9;i++)
            Write_Max7219(i,displ[j][i-1]);
    }
}
```

```
    delay(500);  
  }  
}
```

### Programmes avec bibliothèques à inclure

- afficheur8x8.zip
- max7219\_dot\_matrix\_scroll\_text.ino.zip
  - web-scroll-matrix-master.zip
  - max7219\_100.ino.tar.gz

### Bibliothèques

Différentes bibliothèques à tester

- ledcontrol.zip
- ledcontrol-master.zip
- maxmatrix.zip

Une bibliothèque pour les matrices en cascade ( à essayer ...)

- ledcontrolms\_f79uc7xhkcyjmgv.zip

Une autre bibliothèque mais pour le Raspberry ( A voir lors d'une autre soirée ...)

- luma.led\_matrix-master\_raspberry.zip
- On peut y voir une demo en image animée...

### Pour la création de codes pour matrices de LEDs

Envoyer par Fernand

[8x8 Matrix Character Creator](#)

Pour la création de caractères 8x8 sur la matrice de LEDs

- [Leds Matrice editor](#)
- Le programme qui va avec :
- [Programme pour matrice](#)

Toujours envoyer par Fernand : un programme de test, ne pas oublier d'inclure les 2 bibliothèques ci-dessous

## Matrix 32x8 Max7219



- - exemple 002 programme 32X8
    - Librairie Adafruit\_gfx
    - Librairie Max72xx

From:

<https://chanterie37.fr/fablab37110/> - **Castel'Lab le Fablab MJC de Château-Renault**

Permanent link:

<https://chanterie37.fr/fablab37110/doku.php?id=start:arduino:max7219&rev=1753366737>

Last update: **2025/07/24 16:18**

